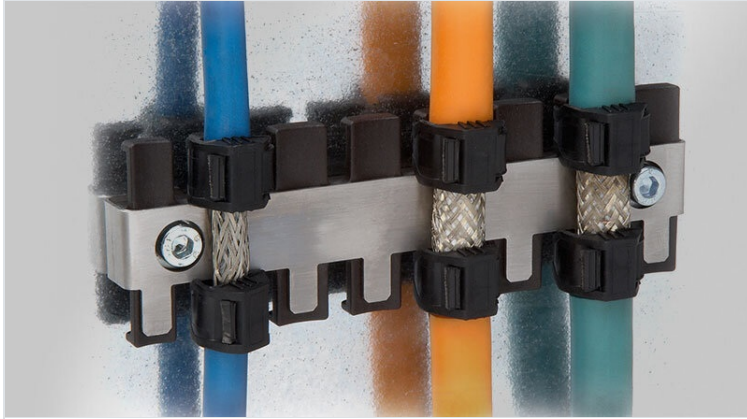


ZL|SB-EMC shield plates

for strain relief plates



The shield plates ZL|SB-EMC provide shield earthing in addition to strain relief.

Affix the corresponding shield plates to [ZL strain relief plates](#). The shield plate contacts the cable shield with the earth potential.

The result is a secure low resistance connection between cable shield and earth.

ZL strain relief plates offered separately.



RoHS
compliant



Made in
Germany

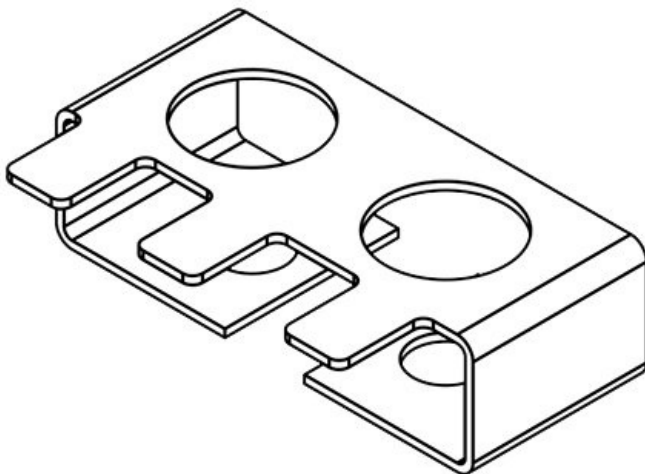
Specifications

| | |
|------------------|---------------------|
| Material | Stainless steel |
| Mounting options | Screw type mounting |

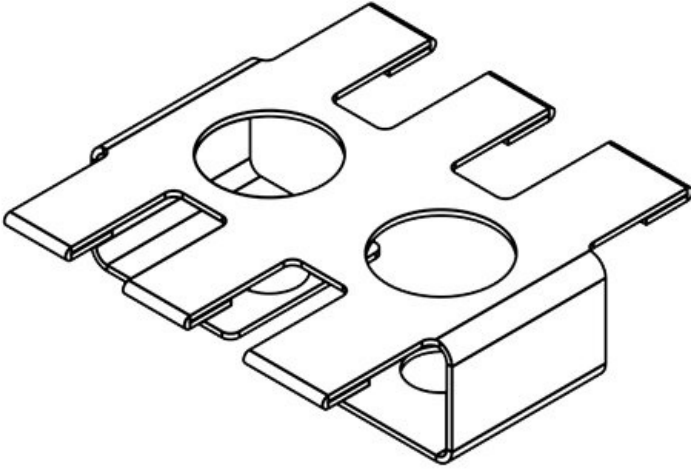
Advantages & benefits

Product types & sizes

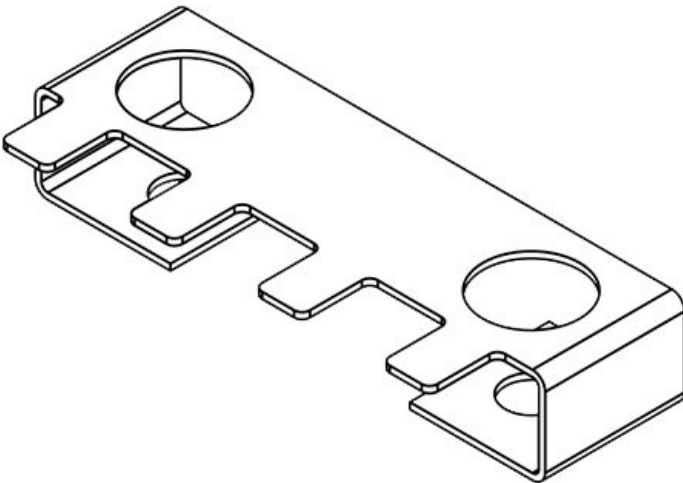
ZL 39|SB-EMC-1



| | | | |
|------------------------|----------------------|----------------------|---------------|
| Part No. | 36322 | Height | 12 mm |
| EAN | 4251269302541 | No. of screw holes | 2 |
| Package quantity | 10 | Diam. of screw holes | 6,5 mm |
| For max. no. of cables | 3 | No. of teeth | 3 |
| Length L1 | 42 mm | | |
| Length L2 | 19,5 mm | | |
| Width | 26 mm | | |



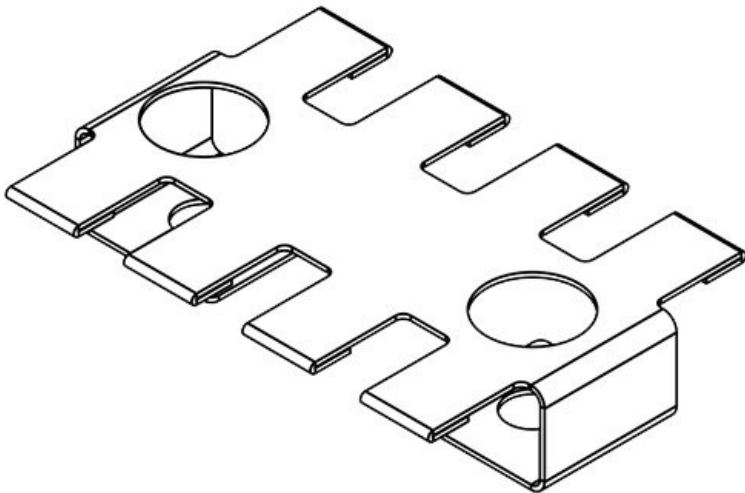
| | | | |
|------------------------|-------------------|----------------------|---------------|
| Part No. | 37150 | Height | 12 mm |
| EAN | 4251269305 | No. of screw holes | 2 |
| | 221 | Diam. of screw holes | 6,5 mm |
| Package quantity | 10 | No. of teeth | 3 |
| For max. no. of cables | 3 | | |
| Length L1 | 42 mm | | |
| Length L2 | 19,5 mm | | |
| Width | 42,1 mm | | |



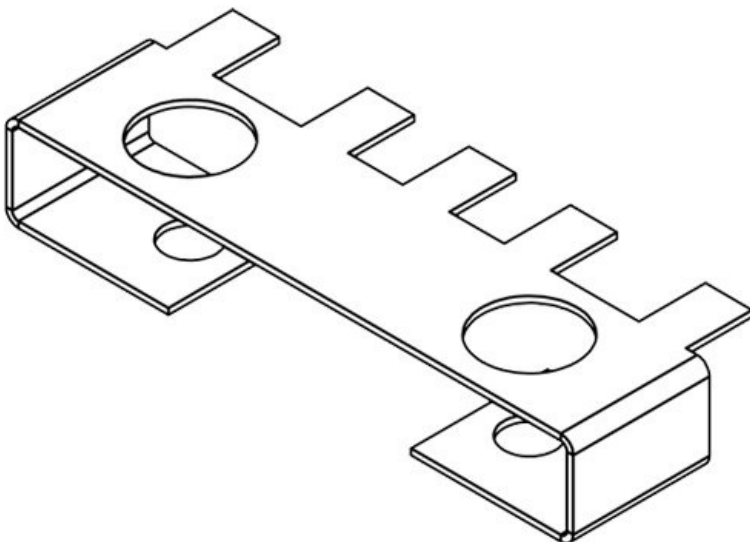
| | | | |
|------------------------|-------------------|----------------------|---------------|
| Part No. | 36328 | Height | 12 mm |
| EAN | 4251269302 | No. of screw holes | 2 |
| | 572 | Diam. of screw holes | 6,5 mm |
| Package quantity | 10 | No. of teeth | 4 |
| For max. no. of cables | 4 | | |
| Length L1 | 64 mm | | |
| Length L2 | 43,5 mm | | |
| Width | 26 mm | | |

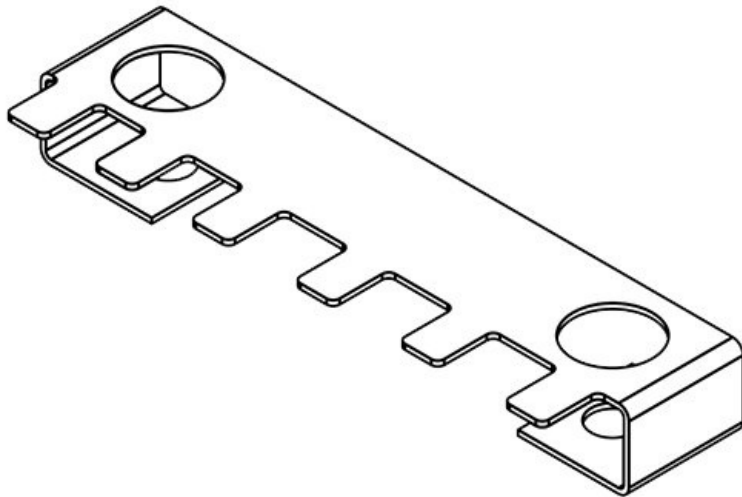
ZL 60|SB-EMC-2

| | | | |
|------------------------|-------------------|----------------------|---------------|
| Part No. | 37152 | Height | 12 mm |
| EAN | 4251269305 | No. of screw holes | 2 |
| | 238 | | |
| Package quantity | 10 | Diam. of screw holes | 6,5 mm |
| For max. no. of cables | 4 | No. of teeth | 4 |
| Length L1 | 64 mm | | |
| Length L2 | 43,5 mm | | |
| Width | 42,1 mm | | |

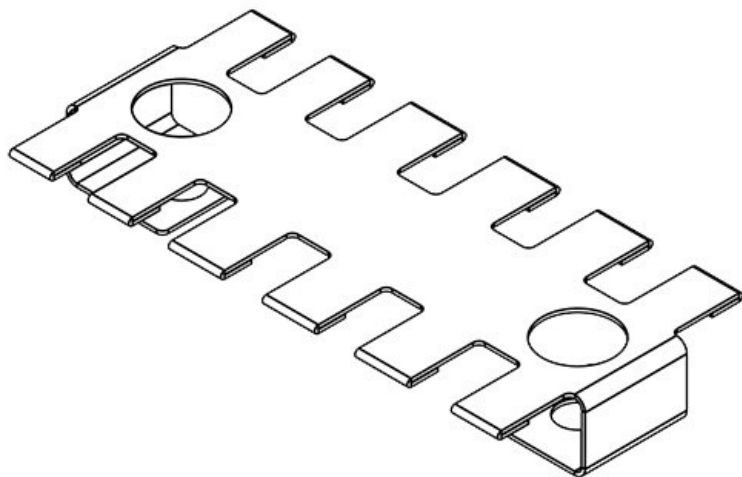
**ZL 70|SB-EMC-1**

| | | | |
|------------------------|-------------------|----------------------|---------------|
| Part No. | 36323 | Height | 12 mm |
| EAN | 4251269332 | No. of screw holes | 2 |
| | 845 | | |
| Package quantity | 10 | Diam. of screw holes | 6,5 mm |
| For max. no. of cables | 5 | No. of teeth | 5 |
| Length L1 | 72,7 mm | | |
| Length L2 | 43,5 mm | | |
| Width | 26 mm | | |





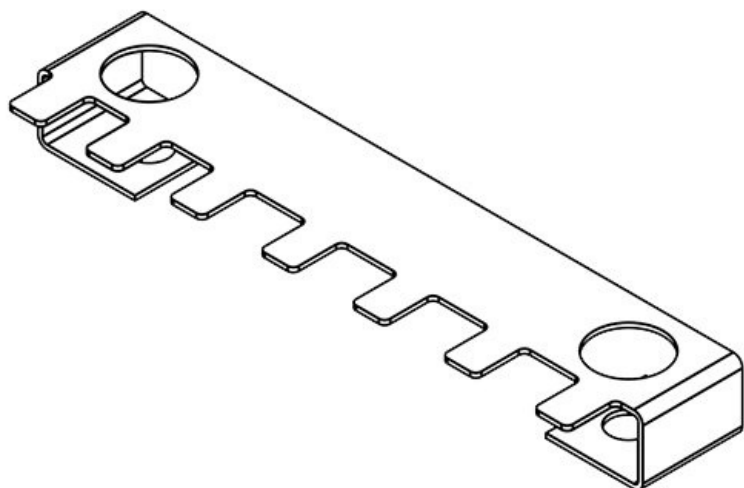
| | | | |
|------------------------|-------------------|----------------------|---------------|
| Part No. | 36324 | Height | 12 mm |
| EAN | 4251269302 | No. of screw holes | 2 |
| Package quantity | 558 | Diam. of screw holes | 6,5 mm |
| For max. no. of cables | 6 | No. of teeth | 6 |
| Length L1 | 90 mm | | |
| Length L2 | 68 mm | | |
| Width | 26 mm | | |



| | | | |
|------------------------|-------------------|----------------------|---------------|
| Part No. | 37154 | Height | 12 mm |
| EAN | 4251269305 | No. of screw holes | 2 |
| Package quantity | 245 | Diam. of screw holes | 6,5 mm |
| For max. no. of cables | 6 | No. of teeth | 6 |
| Length L1 | 90 mm | | |
| Length L2 | 68 mm | | |
| Width | 42,1 mm | | |

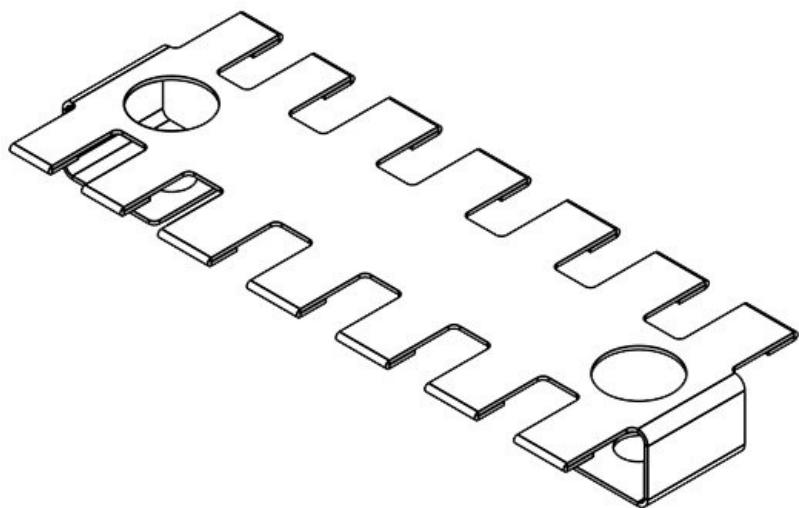
ZL 103|SB-EMC-1

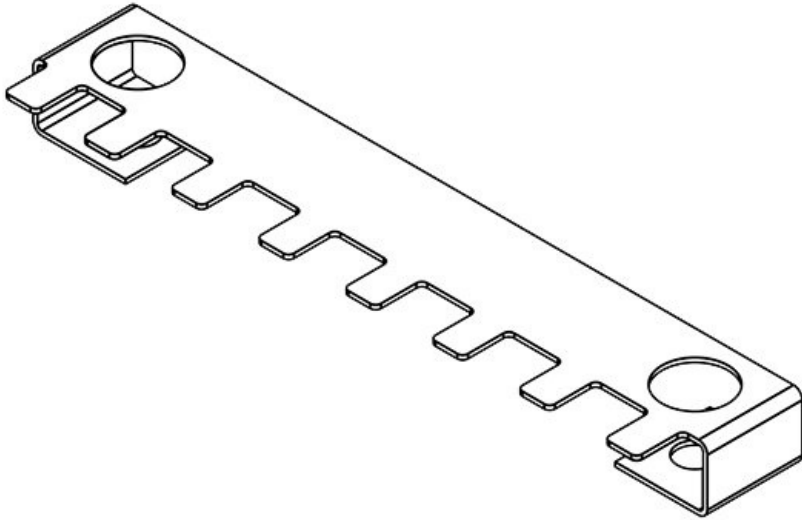
| | | | |
|------------------------|-------------------|----------------------|---------------|
| Part No. | 36332 | Height | 12 mm |
| EAN | 4251269302 | No. of screw holes | 2 |
| | 596 | | |
| Package quantity | 10 | Diam. of screw holes | 6,5 mm |
| For max. no. of cables | 7 | No. of teeth | 7 |
| Length L1 | 106 mm | | |
| Length L2 | 84 mm | | |
| Width | 26 mm | | |



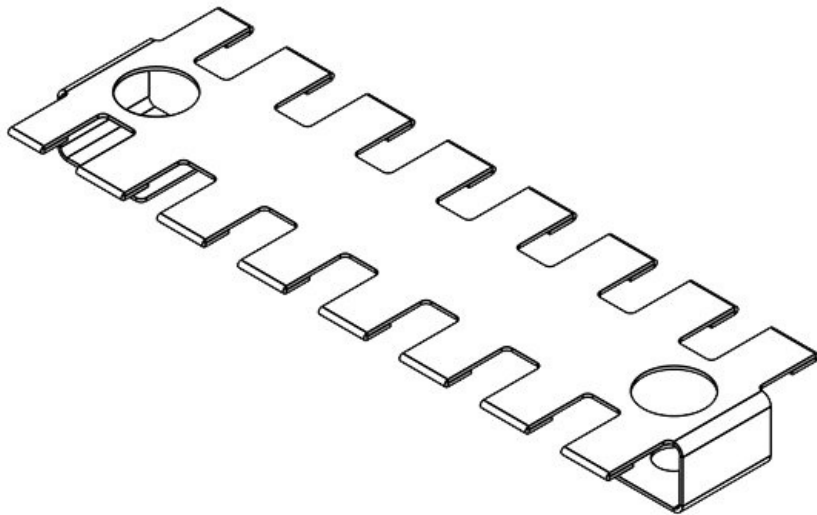
ZL 103|SB-EMC-2

| | | | |
|------------------------|-------------------|----------------------|---------------|
| Part No. | 37156 | Height | 12 mm |
| EAN | 4251269305 | No. of screw holes | 2 |
| | 252 | | |
| Package quantity | 10 | Diam. of screw holes | 6,5 mm |
| For max. no. of cables | 7 | No. of teeth | 7 |
| Length L1 | 106 mm | | |
| Length L2 | 84 mm | | |
| Width | 42,1 mm | | |





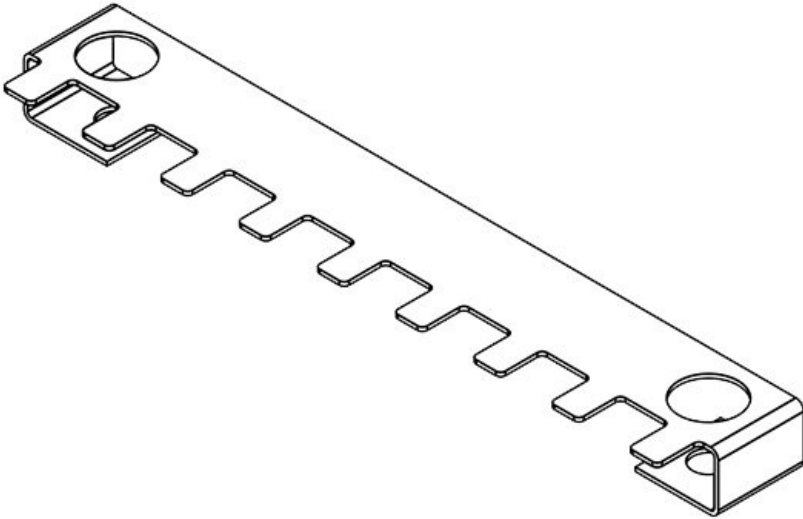
| | | | |
|------------------------|-------------------|----------------------|---------------|
| Part No. | 36330 | Height | 12 mm |
| EAN | 4251269302 | No. of screw holes | 2 |
| Package quantity | 10 | Diam. of screw holes | 6,5 mm |
| For max. no. of cables | 8 | No. of teeth | 8 |
| Length L1 | 124 mm | | |
| Length L2 | 102,5 mm | | |
| Width | 26 mm | | |



| | | | |
|------------------------|-------------------|----------------------|---------------|
| Part No. | 37158 | Height | 12 mm |
| EAN | 4251269305 | No. of screw holes | 2 |
| Package quantity | 10 | Diam. of screw holes | 6,5 mm |
| For max. no. of cables | 8 | No. of teeth | 8 |
| Length L1 | 124 mm | | |
| Length L2 | 102,5 mm | | |
| Width | 42,1 mm | | |

ZL 140|SB-EMC-1

| | | | |
|------------------------|-------------------|----------------------|---------------|
| Part No. | 36326 | Height | 12 mm |
| EAN | 4251269302 | No. of screw holes | 2 |
| | 565 | | |
| Package quantity | 10 | Diam. of screw holes | 6,5 mm |
| For max. no. of cables | 9 | No. of teeth | 9 |
| Length L1 | 142 mm | | |
| Length L2 | 121 mm | | |
| Width | 26 mm | | |

**ZL 140|SB-EMC-2**

| | | | |
|------------------------|-------------------|----------------------|---------------|
| Part No. | 37159 | Height | 12 mm |
| EAN | 4251269305 | No. of screw holes | 2 |
| | 276 | | |
| Package quantity | 10 | Diam. of screw holes | 6,5 mm |
| For max. no. of cables | 9 | No. of teeth | 9 |
| Length L1 | 142 mm | | |
| Length L2 | 121 mm | | |
| Width | 42,1 mm | | |

